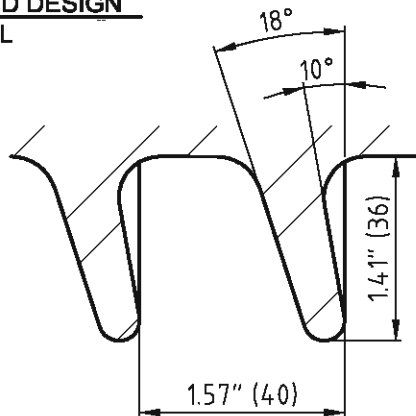


STANDARDS - ANSI C29.9, C29.1
 LIGHTNING IMPULSE WITHSTAND VOLTAGE 900 kV
 POWER-FREQUENCY WITHSTAND VOLTAGE, WET 385 kV
 CRITICAL IMPULSE FLASHOVER, POSITIVE 1010 kV
 MAX. RIV AT 1000 kHz 500 μV
 LOW-FREQUENCY TEST VOLTAGE (RIV) 146 kV
 NOMINAL CREEPAGE DISTANCE 166.9 in
 MINIMUM FAILING LOAD - BENDING (UPRIGHT & UNDERHUNG) 1450 lb
 - TENSILE 36000 lb
 - COMPRESSION 150000 lb
 - TORSION 133000 in-lb
 MAX. ANGULAR DEVIATION OF FIXING HOLES 1°
 TESTING ACC. TO ANSI C29.1
 MECHANICAL ROUTINE TEST: BENDING 4x 50%
 MATERIAL: C-130 ACC. TO IEC 60672, GREY GLAZED
 APPROXIMATE WEIGHT 276 lb

**SHED DESIGN
 DETAIL**



MEASURES IN BRACKETS ARE IN MILLIMETRES

3	CEMENTING		PORTLAND CEMENT	2.0		
2	CAP	K-127-051-111		9.4		
1	PORCELAIN	5693 0 P	C-130 IEC 60672	104		
pcs	Pos.	Title	Drawing standard	Dimension	Material	Weight

(%)	Scale	Drawn	Checked	Daf.
-----	-------	-------	---------	------

**OUTDOOR POST INSULATOR
 TR-308, Cat. Id.: 900 HU
 UNIFORM**

Meister International, LLC
 Tel: 513-923-2712 Fax: 513-923-1978
 sales@meisterintl.com www.meisterintl.com