

**CHARACTERISTICS/TESTS**

In accordance with ANSI C29.9

Glaze: Light-grey Munsell Notations N°70  
Approximate weight

41.4 lbs

**DIMENSIONS**

Minimum leakage distance

24 in

**MECHANICAL VALUES**

Cantilever breaking strength, upright 4000 lbs  
Cantilever breaking strength, underhung 4000 lbs  
Tensile breaking strength 20000 lbs  
Torsional breaking moment 16000 in.lbs  
Compression breaking strength 20000 lbs

**ELECTRICAL VALUES**

Guaranteed voltage:  
Critical impulse dry, wave 1.2/50 - positive polarity 170 kV  
Power frequency wet, withstand 60 kV  
Impulse dry, wave 1.2/50 - withstand, positive polarity 150 kV

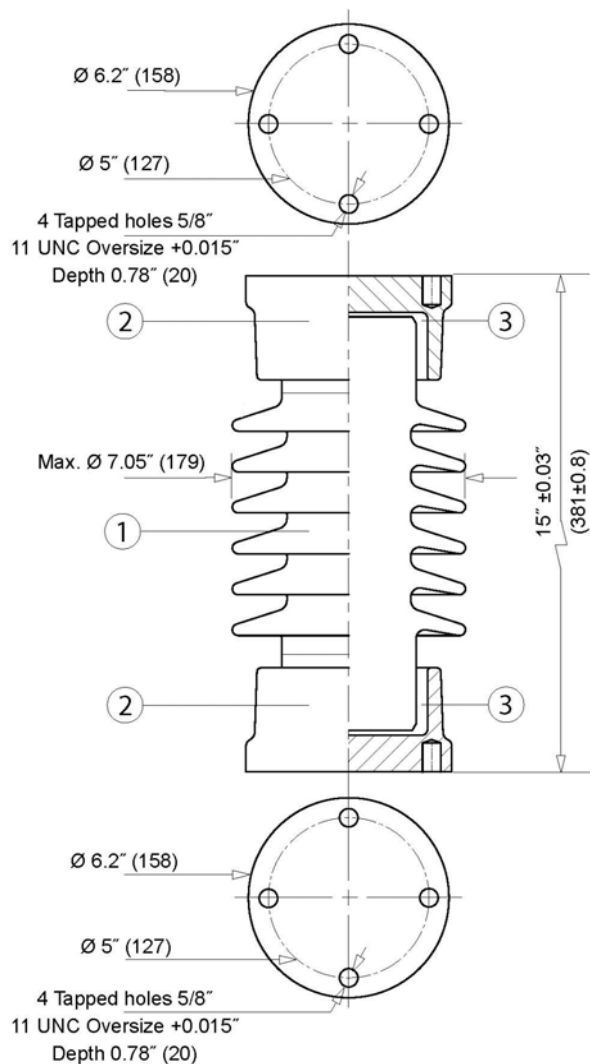
Test voltage 15 kV  
Maxi RIV at 1 MHz 100 μV

**GENERAL TOLERANCE**

± (0.04d + 0.06) in., if d ≤ 11.8 in.  
± (0.025d + 0.24) in., if d > 11.8 in.

**CONVERSION TABLE**

<b>DIMENSIONS</b>	1.	mm	0.03937	inch
	25.4	mm	1	inch
<b>FORCE</b>	1	N	0.22481	pound
	4.448	N	1	pound
<b>MOMENT OF FORCE</b>	1	Nm	8.8495	inch-pound
	0.113	Nm	1	inch-pound



1	Porcelain	Glazed Light-grey
2	Cap Fitting	K-127-223-111
3	Cementing	Portland cement
4	/	/
5	/	/
6	/	/
7	/	/

Nb	DESIGNATION	MATERIAL
----	-------------	----------

Top and bottom bolts are not furnished

1	S-06010	Issue 1
/	/	/
Qty	REFERENCE	DESIGNATION

MODIFICATIONS	/			
	/			
	/			
	/			
	/			
	/			

**Outdoor post insulator**  
Cat. ID.  
**150 HU**  
**TR-227**

 **Meister International, LLC**  
Tel: 513-923-2712 Fax: 513-923-1978  
sales@meisterintl.com www.meisterintl.com