

CHARACTERISTICS/TESTS

In accordance with ANSI C29.9

Glaze: Light-grey Munsell Notations N°70
Approximate weight

37.9 lbs

DIMENSIONS

Minimum leakage distance 15.5 in

MECHANICAL VALUES

Cantilever breaking strength, upright 4000 lbs
Cantilever breaking strength, underhung 4000 lbs
Tensile breaking strength 20000 lbs
Torsional breaking moment 14000 in.lbs
Compression breaking strength 20000 lbs

ELECTRICAL VALUES

Guaranteed voltage:
Critical impulse dry, wave 1.2/50 - positive polarity 125 kV
Power frequency wet, withstand 45 kV
Impulse dry, wave 1.2/50 - withstand, positive polarity 110 kV

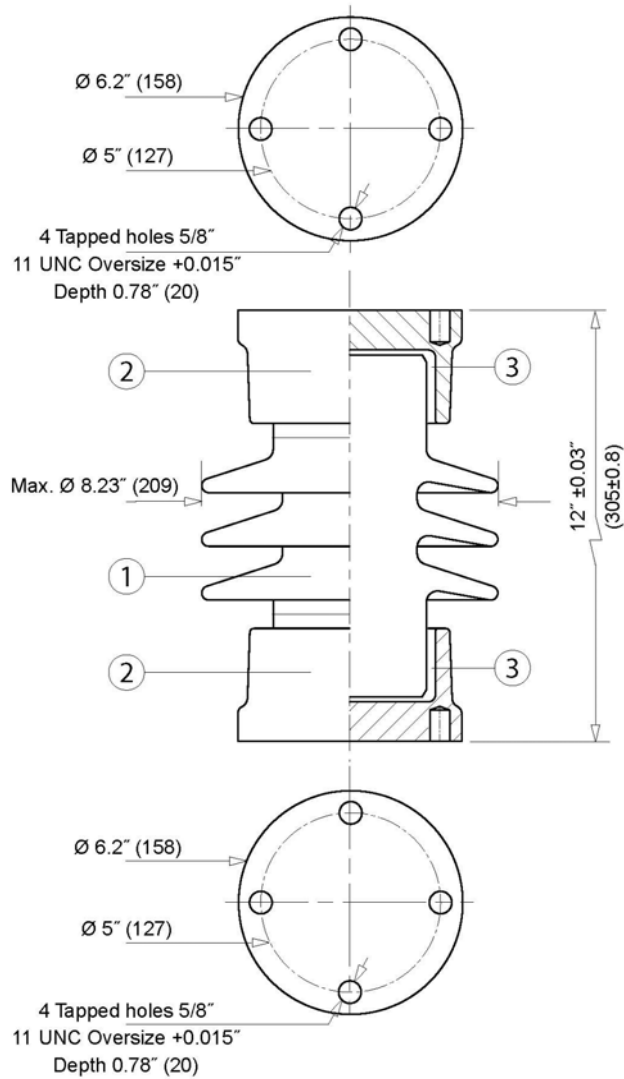
Test voltage 10 kV
Maxi RIV at 1 MHz 50 µV

GENERAL TOLERANCE

± (0.04d + 0.06) in., if d ≤ 11.8 in.
± (0.025d + 0.24) in., if d > 11.8 in.

CONVERSION TABLE

DIMENSIONS	1	mm	0.03937	inch
	25.4	mm	1	inch
FORCE	1	N	0.22481	pound
	4.448	N	1	pound
MOMENT OF FORCE	1	Nm	8.8495	inch-pound
	0.113	Nm	1	inch-pound



1	Porcelain	Glazed Light-grey
2	Cap Fitting	K-127-223-111
3	Cementing	Portland cement
4	/	/
5	/	/
6	/	/
7	/	/

Nb	DESIGNATION	MATERIAL
Top and bottom bolts are not furnished		
1	S-06041	Issue 1
/	/	/
Qty	REFERENCE	DESIGNATION

MODIFICATIONS	/			
	/			
	/			
	/			
	/			
	/			
	/			

Outdoor post insulator
Cat. ID.
110 HU
TR-225

 **Meister International, LLC**
Tel: 513-923-2712 Fax: 513-923-1978
sales@meisterintl.com www.meisterintl.com