

CHARACTERISTICS/TESTS

In accordance with ANSI C29.9

Glaze: Light-grey Munsell Notations N°70
Approximate weight

31.3 lbs

DIMENSIONS

Minimum leakage distance 10.5 in

MECHANICAL VALUES

Cantilever breaking strength, upright 4000 lbs
Cantilever breaking strength, underhung 4000 lbs
Tensile breaking strength 20000 lbs
Torsional breaking moment 30000 in.lbs
Compression breaking strength 100000 lbs

ELECTRICAL VALUES

Guaranteed voltage:
Critical impulse dry, wave 1.2/50 - positive polarity 105 kV
Power frequency wet, withstand 30 kV
Impulse dry, wave 1.2/50 - withstand, positive polarity 95 kV

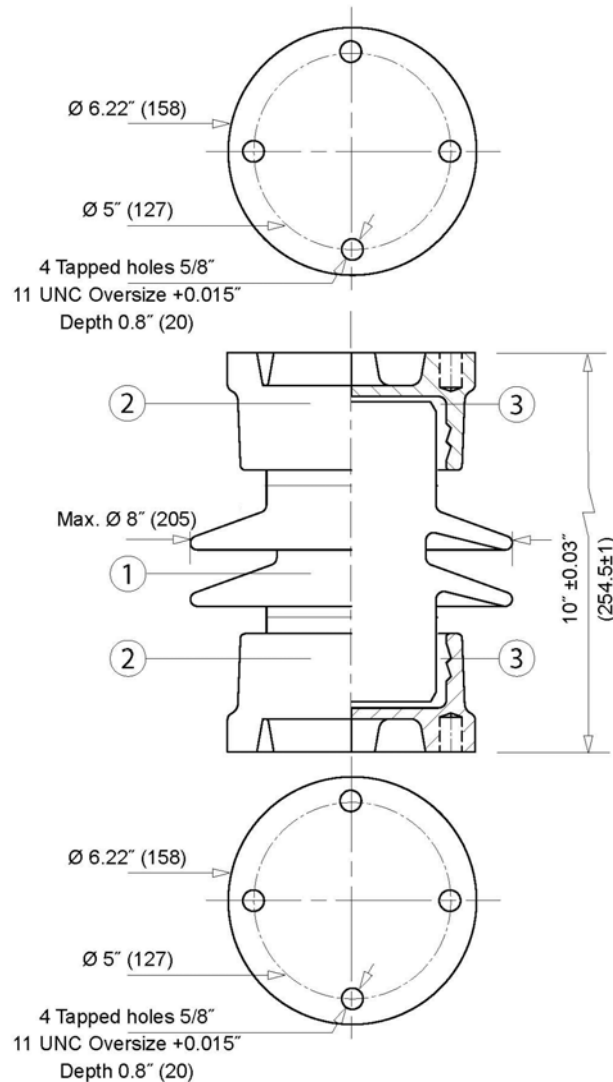
Test voltage 5 kV
Maxi RIV at 1 MHz 50 µV

GENERAL TOLERANCE

± (0.04d + 0.06) in., if d ≤ 11.8 in.
± (0.025d + 0.24) in., if d > 11.8 in.

CONVERSION TABLE

DIMENSIONS	1.	mm	0.03937	inch
	25.4	mm	1	inch
FORCE	1	N	0.22481	pound
	4.448	N	1	pound
MOMENT OF FORCE	1	Nm	8.8495	inch-pound
	0.113	Nm	1	inch-pound



1	Porcelain	Glazed Light-grey
2	Cap Fitting	K-127-550-117
3	Cementing	Portland cement
4	/	/
5	/	/
6	/	/
7	/	/

Nb	DESIGNATION	MATERIAL
Top and bottom bolts are not furnished		
1	S-08035	Issue 1
/	/	/
Qty	REFERENCE	DESIGNATION

MODIFICATIONS	/			
	/			
	/			
	/			
	/			
	/			

Outdoor post insulator

Cat. ID.

95 HU
TR-222



Meister International, LLC

Tel: 513-923-2712
sales@meisterintl.com

Fax: 513-923-1978
www.meisterintl.com