

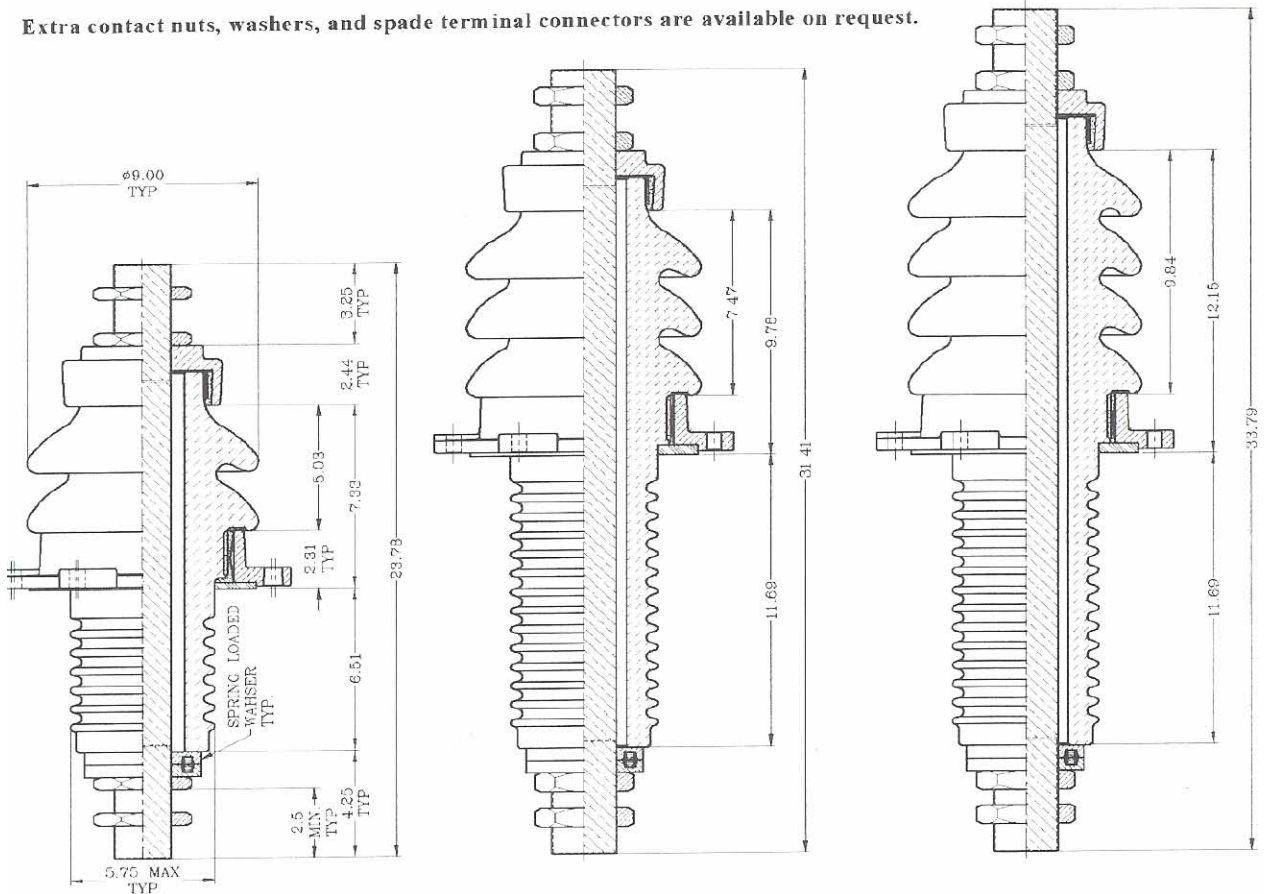
POWER BUSHING ASSEMBLIES

These bushings are designed for typical entrance applications. They find wide application in dry type transformers and as feed through bushings in switchgear. These bushings also provide an extra margin of mechanical and electrical safety under severe operating conditions. The electrical ratings given are for Air-to-Oil application.

Porcelain is gray glazed all over and the top skirts are designed for outdoor application. The extended internal leakage distance provides extra safety for dry application. Flange and cap are joined to porcelain with epoxy. Flange is cast aluminum and cap is copper alloy C83300. Constant pressure to top terminal is maintained by the spring-loaded washers to compensate for the thermal expansion and contraction of the copper stud. Nitrile (Buna-N) gasket is standard. For ordering assemblies with cork-rubber composition gaskets add the suffix "C" to the part number and for tin-plated cap-stud assemblies add the suffix "-Sn" to the part number.

Example part number: 351155-CSn (with cork-rubber gaskets and tin-plated cap-stud assembly)

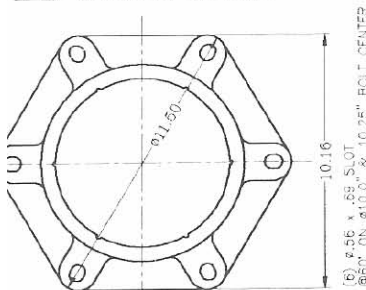
Extra contact nuts, washers, and spade terminal connectors are available on request.



5 kV CLASS, 75 kV B.I.L.

15 kV CLASS, 110 kV B.I.L.

23 kV CLASS, 150 kV B.I.L.



FLANGE MOUNTING DETAILS

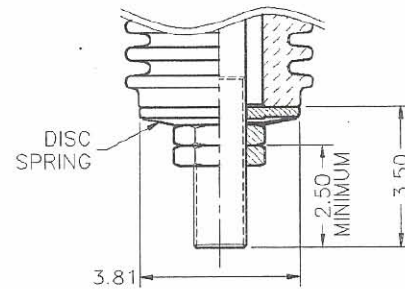
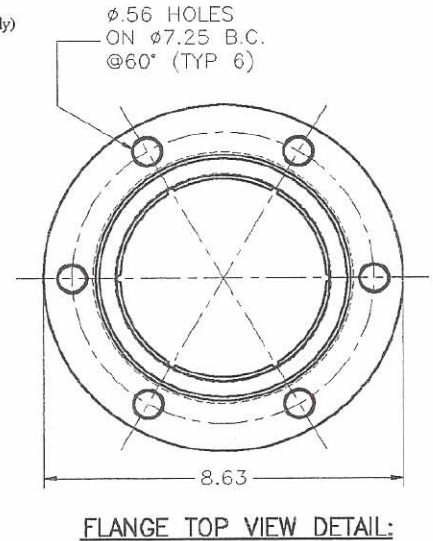
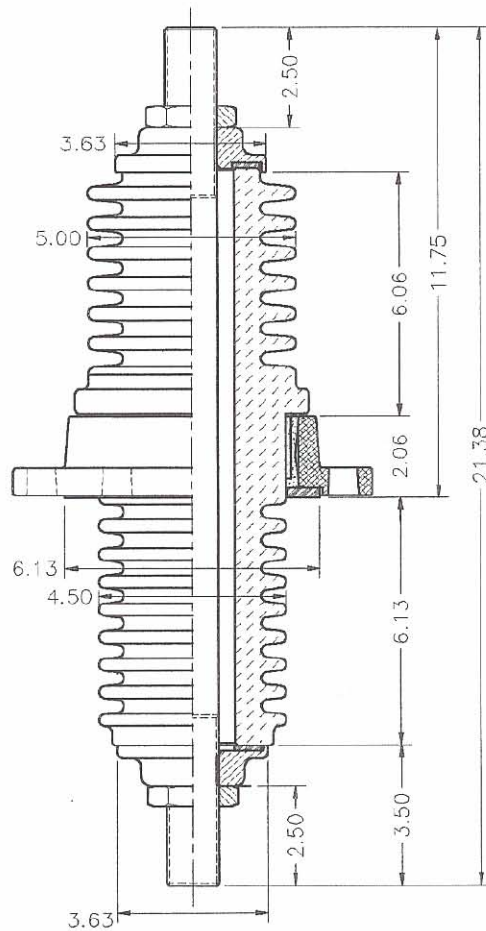
KV CLASS	PART NO.	LEAKAGE DISTANCE	STUD SIZE	RATING
5	351155	TOP 8.00"	2.25-12 UN-2A	3300 A
	351156	BOT 9.00"	2.50-12 UN-2A	3700 A
	351157		3.00-12 UN 2A	5400 A
15	353155	TOP 12.50"	2.25-12 UN-2A	3300 A
	353156	BOT 17.50"	2.50-12 UN-2A	3700 A
	353157		3.00-12 UN 2A	5400 A
23	354155	TOP 17.50"	2.25-12 UN-2A	3300 A
	354156	BOT 17.50"	2.50-12 UN-2A	3700 A
	354157		3.00-12 UN 2A	5400 A

INDOOR FEED-THROUGH BUSHING ASSEMBLIES 15 kV CLASS, 110 kV B.I.L., 12.5" MIN. CREEP HORIZONTAL OR VERTICAL MOUNTING

The copper stud and the top cap are joined by soldering or brazing. Nitrile (Buna-N) gasket is standard. For ordering assemblies with the cork-rubber composition gaskets, add the suffix "-C" to the part number.

Bushing assembly is supplied without plating on cap and stud. For ordering assemblies with tin-plated cap-stud assemblies add the suffix "-Sn" to the part number. For ordering assemblies with silver-plated cap-stud assemblies add the suffix "-Ag" to the part number.

Example part numbers: 373100-CSn (with cork-rubber gaskets and tin-plated cap-stud assembly)
373005-C (with cork-rubber gaskets and no plating)
373108-Ag (with standard gaskets and silver-plating cap-stud assembly)



TYPE 1

TYPE 2

PART NO.		STUD SIZE	RATING
TYPE 1	TYPE 2		
373100	373000	0.500-13 UNC-2A	208 A
373101	373001	0.625-18 UNF-2A	300 A
373102	373002	0.750-16 UNF-2A	450 A
373103	373003	1.000-14 UNS-2A	800 A
373104	373004	1.125-12 UNF-2A	1000 A
373105	373005	1.250-12 UNF-2A	1200 A
373106	373006	1.500-12 UNF-2A	1600 A
373107	373007	1.625-12 UN-2A	1875 A
373108	373008	1.750-12 UN-2A	2100 A
373109	373009	2.000-12 UN-2A	2600 A