

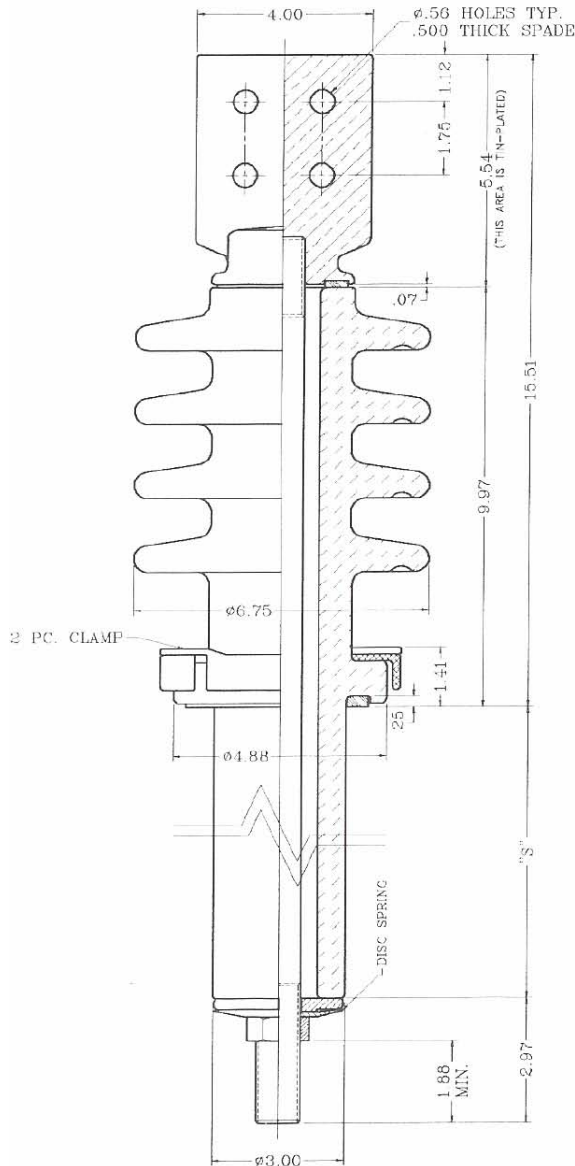
POWER BUSHING ASSEMBLIES

23kV CLASS, 150kV BIL, 19.50" CREEP

These bushings are designed for transformer and special power apparatus applications. The electrical ratings given are based on use in a liquid filled transformer with the lower end of the bushing under oil. Porcelain is gray glazed all over and the top skirts are designed for outdoor application.

Spade casting is pure copper and tin-plated. 97% min. electrical conductivity guaranteed. Clamps and washers are non-magnetic. Constant gasket pressure to top terminal is maintained by disc springs to compensate for the thermal expansion and contraction of the copper stud. Nitrile (Buna-N) gasket is standard. For ordering assemblies with the cork-rubber composition gaskets, add the suffix "C" to the part number.

Bushings are designed for mounting in $\phi 3.13$ (min.) hole.



STUD SIZE	PART NO.	"L"	"S"
.500-13 UNC-2A 208A	354700	25.38	6.91
	354702	32.38	13.91
	354703	39.38	20.91
	354704	42.38	23.91
.625-18 UNF-2A 417A	354705	25.38	6.91
	354707	32.38	13.91
	354708	39.38	20.91
	354709	42.38	23.91
.750-16 UNF-2A 600A	354710	25.38	6.91
	354712	32.38	13.91
	354713	39.38	20.91
	354714	42.38	23.91
1.000-14 UNS-2A 800A	354715	25.38	6.91
	354717	32.38	13.91
	354718	39.38	20.91
	354719	42.38	23.91
1.125-12 UNF-2A 1000A	354720	25.38	6.91
	354722	32.38	13.91
	354723	39.38	20.91
	354724	42.38	23.91
1.250-12 UNF-2A 1200A	354725	25.38	6.91
	354727	32.38	13.91
	354728	39.38	20.91
	354729	42.38	23.91
1.500-12 UNF-2A 1700 A	354730	25.38	6.91
	354732	32.38	13.91
	354733	39.38	20.91
	354734	42.38	23.91
1.625-12 UN-2A 2000A	354735	25.38	6.91
	354737	32.38	13.91
	354738	39.38	20.91
	354739	42.38	23.91

