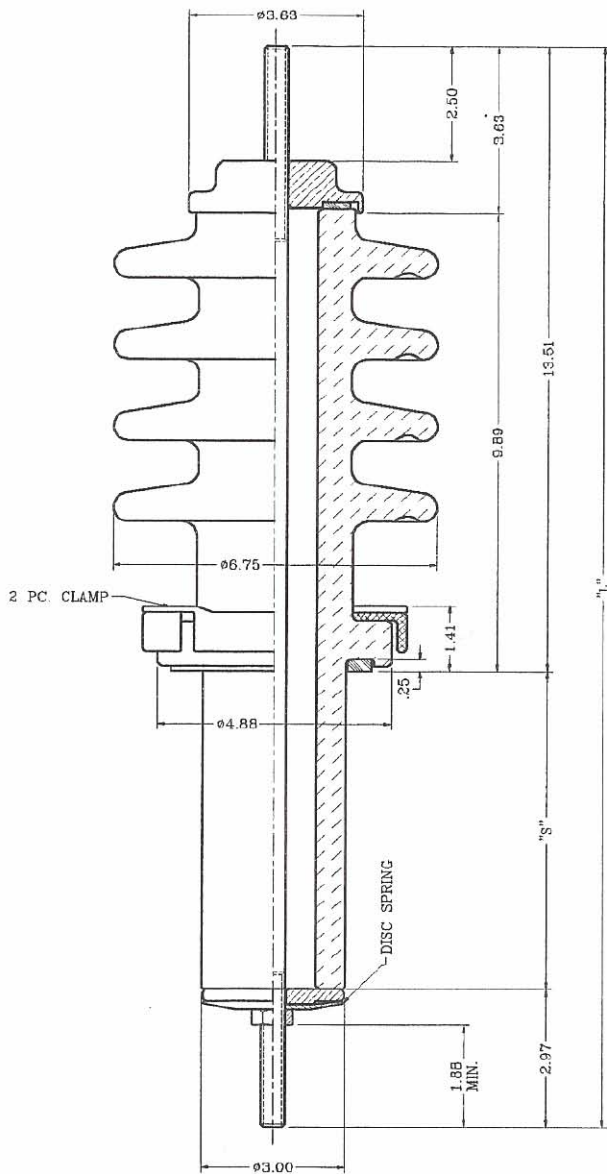


## POWER BUSHING ASSEMBLIES 23kV CLASS, 150kV BIL, 19.50" CREEP

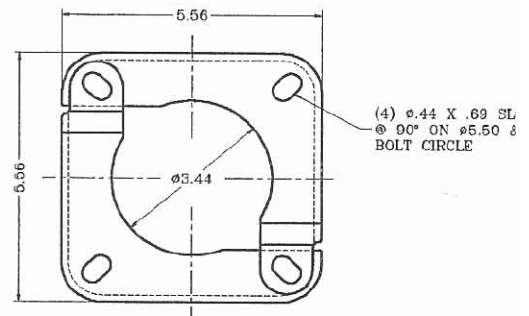
These bushings are designed for transformer and special power apparatus applications. **The electrical ratings given are based on use in a liquid filled transformer with the lower end of the bushing under oil.** Porcelain is gray glazed all over and the top ski are designed for outdoor application.

Clamps and washers are non-magnetic. Constant gasket pressure to top terminal is maintained by disc springs to compensate for thermal expansion and contraction of the copper stud. Nitrile (Buna-N) gasket is standard. For ordering assemblies with the cork-rubber composition gaskets, add the suffix "C" to the part number.

Bushings are designed for mounting in  $\phi 3.13$  (min.) hole.



STUD SIZE	PART NO.	"L"	"S"
.500-13 UNC-2A 208A	354600	23.39	6.91
	354602	30.39	13.91
	354603	37.39	20.91
	354604	40.39	23.91
.625-18 UNF-2A 417A	354605	23.39	6.91
	354607	30.39	13.91
	354608	37.39	20.91
	354609	40.39	23.91
.750-16 UNF-2A 600A	354610	23.39	6.91
	354612	30.39	13.91
	354613	37.39	20.91
1.000-14 UNS-2A 800A	354614	40.39	23.91
	354615	23.39	6.91
	354617	30.39	13.91
1.125-12 UNF-2A 1000A	354618	37.39	20.91
	354619	40.39	23.91
	354620	23.39	6.91
1.250-12 UNF-2A 1200A	354622	30.39	13.91
	354623	37.39	20.91
	354624	40.39	23.91
1.500-12 UNF-2A 1700 A	354625	23.39	6.91
	354627	30.39	13.91
	354628	37.39	20.91
1.625-12 UN-2A 2000A	354629	40.39	23.91
	354630	23.39	6.91
	354632	30.39	13.91
1.625-12 UN-2A 2000A	354633	37.39	20.91
	354634	40.39	23.91
	354635	23.39	6.91
	354637	30.39	13.91
	354638	37.39	20.91
	354639	40.39	23.91



2 PIECE EXTERNAL CLAMP