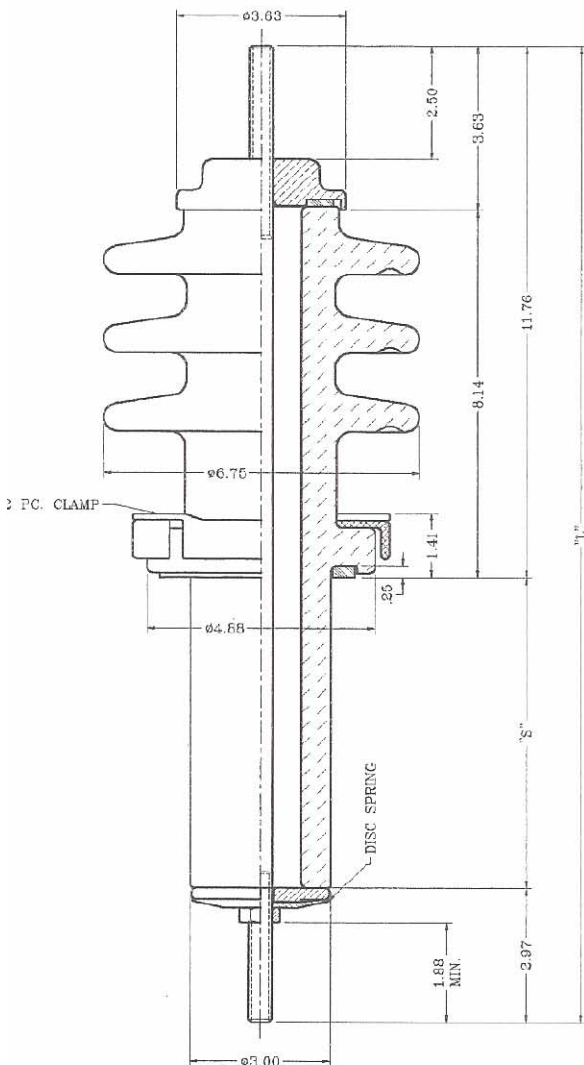


## POWER BUSHING ASSEMBLIES 15kV CLASS, 110kV BIL, 15.00" CREEP

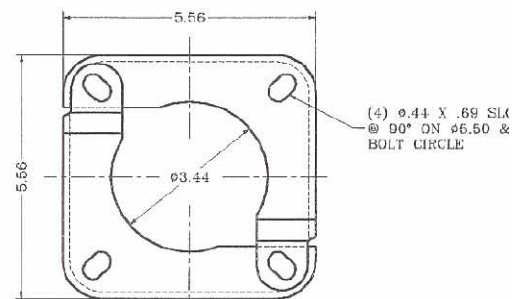
These bushings are designed for transformer and special power apparatus applications. The electrical ratings given are based on use in a liquid filled transformer with the lower end of the bushing under oil. Porcelain is gray glazed all over and the top skirts are designed for outdoor application.

Clamps and washers are non-magnetic. Constant gasket pressure to top terminal is maintained by disc springs to compensate for the thermal expansion and contraction of the copper stud. Nitrile (Buna-N) gasket is standard. For ordering assemblies with the cork-rubber composition gaskets, add the suffix "C" to the part number.

Bushings are designed for mounting in  $\phi 3.13$  (min.) hole.



STUD SIZE	PART NO.	"L"	"S"
.500-13 UNC-2A 208A	353600	21.64	6.91
	353602	28.64	13.91
	353603	35.64	20.91
	353604	38.64	23.91
.625-18 UNF-2A 417A	353605	21.64	6.91
	353607	28.64	13.91
	353608	35.64	20.91
.750-16 UNF-2A 600A	353609	38.64	23.91
	353610	21.64	6.91
	353612	28.64	13.91
1.000-14 UNS-2A 800A	353613	35.64	20.91
	353614	38.64	23.91
	353615	21.64	6.91
1.125-12 UNF-2A 1000A	353617	28.64	13.91
	353618	35.64	20.91
	353619	38.64	23.91
1.250-12 UNF-2A 1200A	353620	21.64	6.91
	353622	28.64	13.91
	353623	35.64	20.91
1.500-12 UNF-2A 1700 A	353624	38.64	23.91
	353625	21.64	6.91
	353627	28.64	13.91
1.625-12 UN-2A 2000A	353628	35.64	20.91
	353629	38.64	23.91
	353630	21.64	6.91
	353632	28.64	13.91
	353633	35.64	20.91
	353634	38.64	23.91
	353635	21.64	6.91
	353637	28.64	13.91
	353638	35.64	20.91
	353639	38.64	23.91



2 PIECE EXTERNAL CLAMP