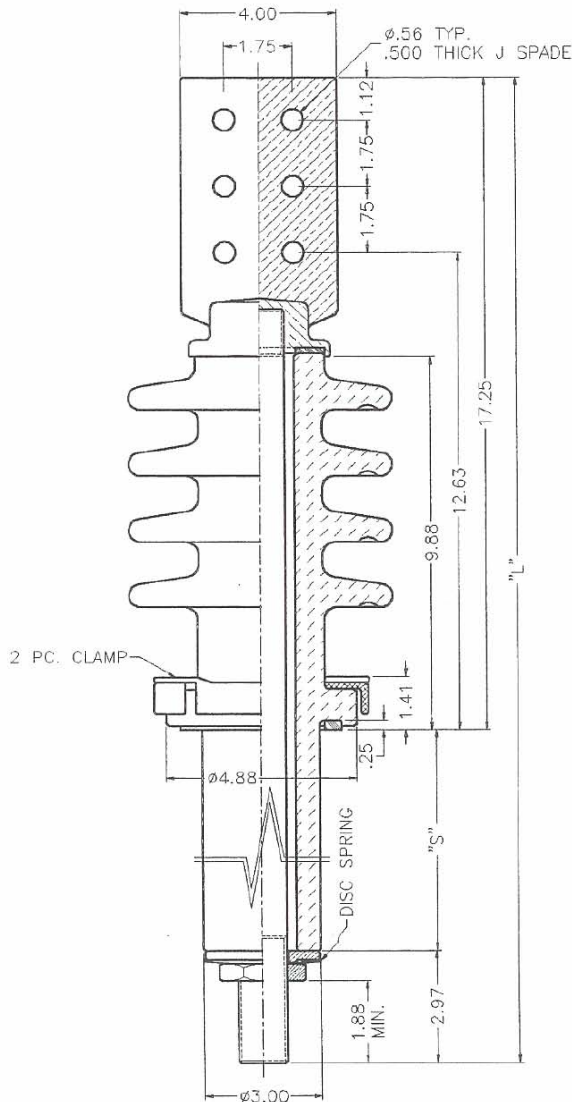


## POWER BUSHING ASSEMBLIES 23kV CLASS, 150kV BIL, 19.5" CREEP

These bushings are designed for transformer and special power apparatus applications. **The electrical ratings given are based on use in a liquid filled transformer with the lower end of the bushing under oil.** Porcelain is gray glazed all over and the top skirt are designed for outdoor application.

Spade casting is pure copper and tin-plated. 97% min. electrical conductivity guaranteed. Clamps and washers are non-magnetic. Constant gasket pressure to top terminal is maintained by disc springs to compensate for the thermal expansion and contraction of the copper stud. Nitrile (Buna-N) gasket is standard. For ordering assemblies with the cork-rubber composition gaskets, add the suffix "C" to the part number.

Bushings are designed for mounting in  $\phi 3.13$  (min.) hole.



STUD SIZE	PART NO.	"L"	"S"
.500-13 UNC-2A 208A	354500	27.13	6.91
	354502	34.13	13.91
	354503	41.13	20.91
	354504	44.13	23.91
.625-18 UNF-2A 417A	354505	27.13	6.91
	354507	34.13	13.91
	354508	41.13	20.91
.750-16 UNF-2A 600A	354509	44.13	23.91
	354510	27.13	6.91
	354512	34.13	13.91
1.000-14 UNS-2A 800A	354513	41.13	20.91
	354514	44.13	23.91
	354515	27.13	6.91
1.125-12 UNF-2A 1000A	354517	34.13	13.91
	354518	41.13	20.91
	354519	44.13	23.91
1.250-12 UNF-2A 1200A	354520	27.13	6.91
	354522	34.13	13.91
	354523	41.13	20.91
1.500-12 UNF-2A 1700 A	354524	44.13	23.91
	354525	27.13	6.91
	354527	34.13	13.91
1.625-12 UN-2A 2000A	354528	41.13	20.91
	354529	44.13	23.91
	354530	27.13	6.91
	354532	34.13	13.91
	354533	41.13	20.91
	354534	44.13	23.91
	354535	27.13	6.91
	354537	34.13	13.91
	354538	41.13	20.91
	354539	44.13	23.91

2 PIECE EXTERNAL CLAMP DETAIL ON PAGE NO. PB-6