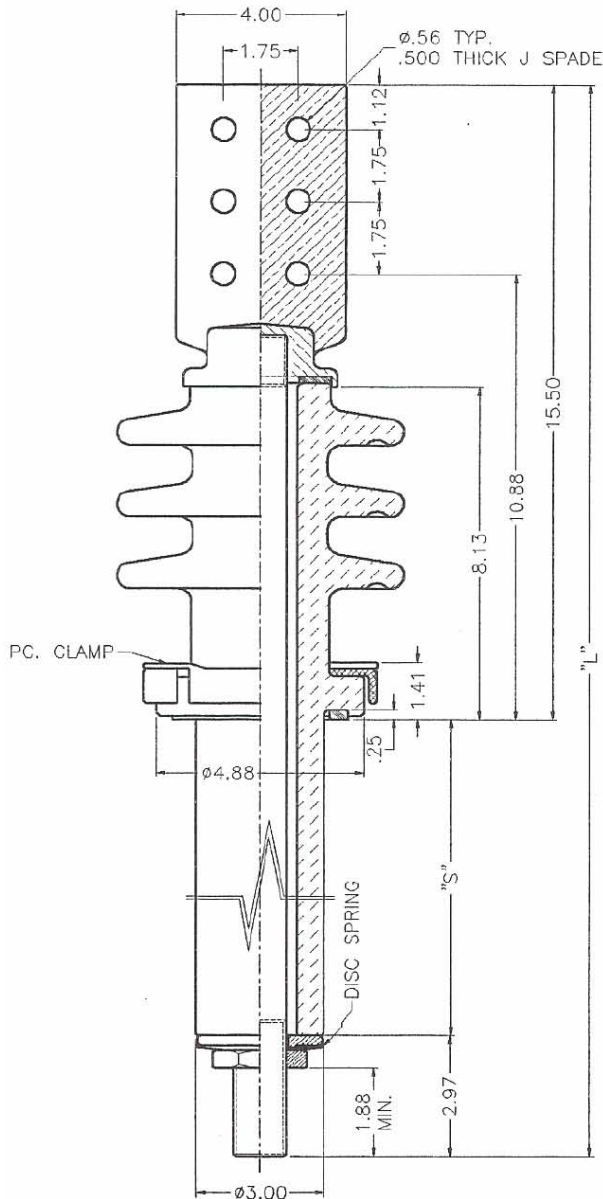


POWER BUSHING ASSEMBLIES 15kV CLASS, 110kV BIL, 15" CREEP

These bushings are designed for transformer and special power apparatus applications. **The electrical ratings given are based on use in a liquid filled transformer with the lower end of the bushing under oil.** Porcelain is gray glazed all over and the top skirts are designed for outdoor application.

Spade casting is pure copper and tin-plated. 97% min. electrical conductivity guaranteed. Clamps and washers are non-magnetic. Constant gasket pressure to top terminal is maintained by disc springs to compensate for the thermal expansion and contraction of the copper stud. Nitrile (Buna-N) gasket is standard. For ordering assemblies with the cork-rubber composition gaskets, add the suffix "C" to the part number.

Bushings are designed for mounting in $\phi 3.13$ (min.) hole.



STUD SIZE	PART NO.	"L"	"S"
.500-13 UNC-2A 208A	353500	25.38	6.91
	353502	32.38	13.91
	353503	39.38	20.91
	353504	42.38	23.91
.625-18 UNF-2A 417A	353505	25.38	6.91
	353507	32.38	13.91
	353508	39.38	20.91
.750-16 UNF-2A 600A	353509	42.38	23.91
	353510	25.38	6.91
	353512	32.38	13.91
1.000-14 UNS-2A 800A	353513	39.38	20.91
	353514	42.38	23.91
	353515	25.38	6.91
1.125-12 UNF-2A 1000A	353517	32.38	13.91
	353518	39.38	20.91
	353519	42.38	23.91
1.250-12 UNF-2A 1200A	353520	25.38	6.91
	353522	32.38	13.91
	353523	39.38	20.91
1.500-12 UNF-2A 1700 A	353524	42.38	23.91
	353525	25.38	6.91
	353527	32.38	13.91
1.625-12 UN-2A 2000A	353528	39.38	20.91
	353529	42.38	23.91
	353530	25.38	6.91
1.500-12 UNF-2A 1700 A	353532	32.38	13.91
	353533	39.38	20.91
	353534	42.38	23.91
1.625-12 UN-2A 2000A	353535	25.38	6.91
	353537	32.38	13.91
	353538	39.38	20.91
	353539	42.38	23.91

2 PIECE EXTERNAL CLAMP DETAIL ON PAGE NO. PB-6