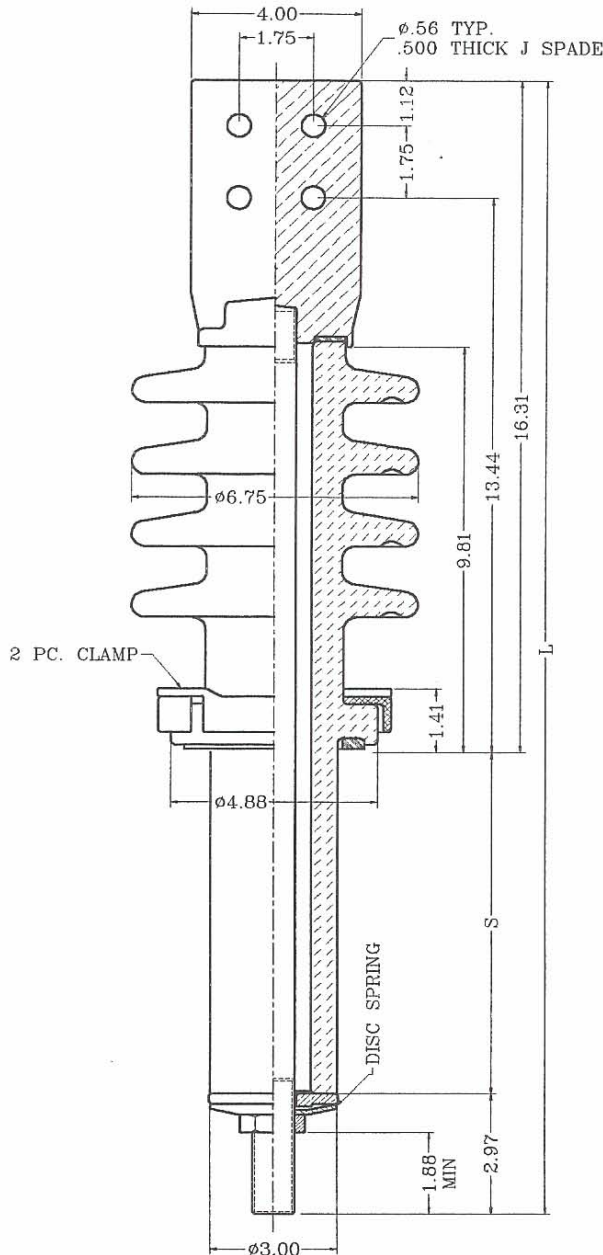


## POWER BUSHING ASSEMBLIES 23kV CLASS, 150kV BIL, 19.50" CREEP

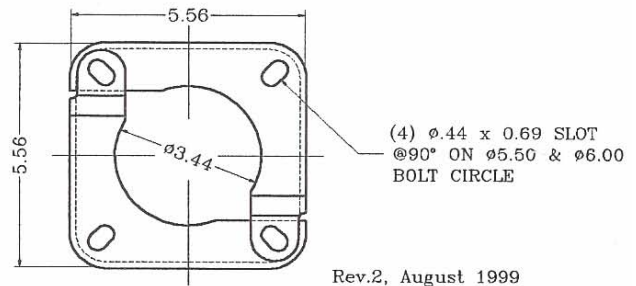
These bushings are designed for transformer and special power apparatus applications. The electrical ratings given are based on use in a liquid filled transformer with the lower end of the bushing under oil. Porcelain is gray glazed all over and the top skirts are designed for outdoor application.

Clamps and washers are non-magnetic. Constant gasket pressure to top terminal is maintained by disc springs to compensate for the thermal expansion and contraction of the copper stud. Nitrile (Buna-N) gasket is standard. For ordering assemblies with the cork-rubber composition gaskets, add the suffix "C" to the part number.

Bushings are designed for mounting in  $\phi 3.13$  (min.) hole.



STUD SIZE	PART NO.	"L"	"S"
.500-13 UNC-2A 208A	354400	26.25	6.91
	354402	33.25	13.91
	354403	40.25	20.91
	354404	43.25	23.91
.625-18 UNF-2A 417A	354405	26.25	6.91
	354407	33.25	13.91
	354408	40.25	20.91
.750-16 UNF-2A 600A	354409	43.25	23.91
	354410	26.25	6.91
	354412	33.25	13.91
1.000-14 UNS-2A 800A	354413	40.25	20.91
	354414	43.25	23.91
	354415	26.25	6.91
1.125-12 UNF-2A 1000A	354417	33.25	13.91
	354418	40.25	20.91
	354419	43.25	23.91
1.250-12 UNF-2A 1200A	354420	26.25	6.91
	354422	33.25	13.91
	354423	40.25	20.91
1.500-12 UNF-2A 1700 A	354424	43.25	23.91
	354425	26.25	6.91
	354427	33.25	13.91
1.625-12 UN-2A 2000A	354428	40.25	20.91
	354429	43.25	23.91
	354430	26.25	6.91
	354432	33.25	13.91
	354433	40.25	20.91
	354434	43.25	23.91
	354435	26.25	6.91
	354437	33.25	13.91
	354438	40.25	20.91
	354439	43.25	23.91



2 PIECE EXTERNAL CLAMP

Rev.2, August 1999