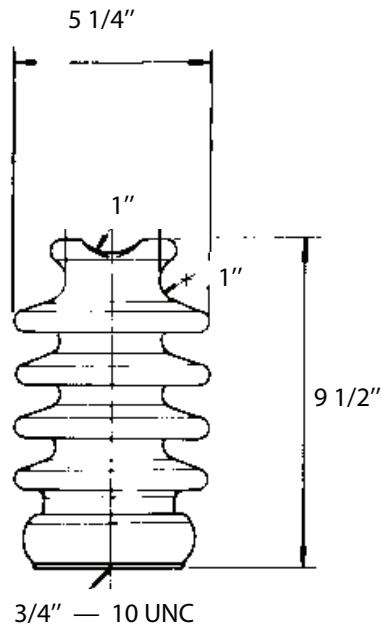


LINE POST INSULATOR "F" NECK TYPE

5-12



CATALOG NUMBER	USUAL LINE VOLTAGE	RADIO INFLUENCE TEST VOLTAGE Rms to Ground	MAXIMUM RIV Microvolts to 1000 kc	CANTILEVER STRENGTH
U4327 G	27 KV	20	50	1500 LBS.

CATALOG NUMBER	LEAKAGE DISTANCE	DRY ARCHING DISTANCE	LOW FREQUENCY FLASHOVER — kV	IMPULSE FLASHOVER — kV	WEIGHT PER 100
U4327 G	15"	7 3/4"	95 DRY 65 WET	135 POSITIVE 190 NEGATIVE	1040 LBS.

THE ABOVE LINE POST INSULATOR IS OFFERED IN A "SKY GRAY" GLAZE . (ANSI - 70)
 FOR CHOCOLATE GLAZE CHANGE THE SUFFIX IN THE CATALOG NUMBER FROM "G" TO "B" .
 LINE POST STUDS ARE FURNISHED SEPARATELY. PLEASE REFER TO OUR HARDWARE SECTION FOR SELECTION..