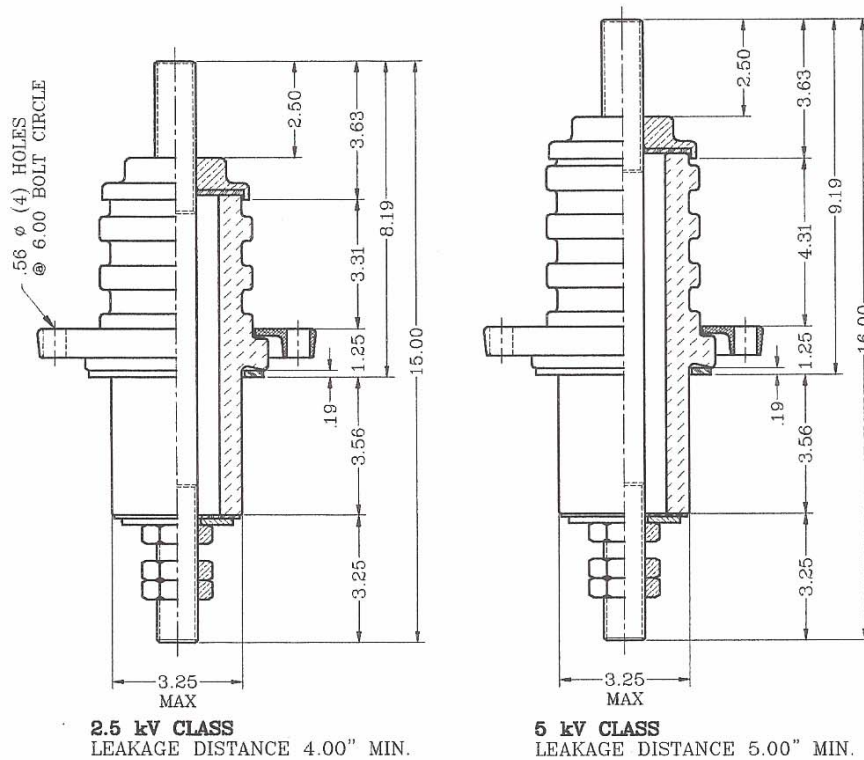


## HIGH CURRENT BUSHING ASSEMBLIES SIDEWALL OR COVER MOUNTED FOR MOUNTING IN 3.38" DIAMETER HOLE

The electrical ratings given are based on use in a liquid filled transformer with the lower end of the bushing under oil level. Bushing is produced of top quality electrical grade wet process porcelain. Gray glaze is standard unless otherwise specified. Nitrile (Buna-N) gasket is standard. For ordering assemblies with the cork and rubber composition gaskets add the suffix "C" to the part number.



Dim. Changes  
Rev. 1, Jan. 1997

PART NO.	kV CLASS	B.I.L.	STUD SIZE AND THREAD	CURRENT RATING
320192	2.5	60	.750-16 UNF-2A	600 A
320193	2.5	60	1.00-14 UNS-2A	800 A
320194	2.5	60	1.13-12 UNF-2A	1000 A
320195	2.5	60	1.25-12 UNF-2A	1200 A
320196	2.5	60	1.50-12 UNF-2A	1600 A
320197	2.5	60	1.75-12 UN-2A	2400 A
320198	2.5	60	2.00-12 UN-2A	3000 A
320199	2.5	60	2.13-12 UN-2A	3350 A
320292	5	75	.750-16 UNF-2A	600 A
320293	5	75	1.00-14 UNS-2A	800 A
320294	5	75	1.13-12 UNF-2A	1000 A
320295	5	75	1.25-12 UNF-2A	1200 A
320296	5	75	1.50-12 UNF-2A	1600 A
320297	5	75	1.75-12 UN-2A	2400 A
320298	5	75	2.00-12 UN-2A	3000 A
320299	5	75	2.13-12 UN-2A	3350 A

