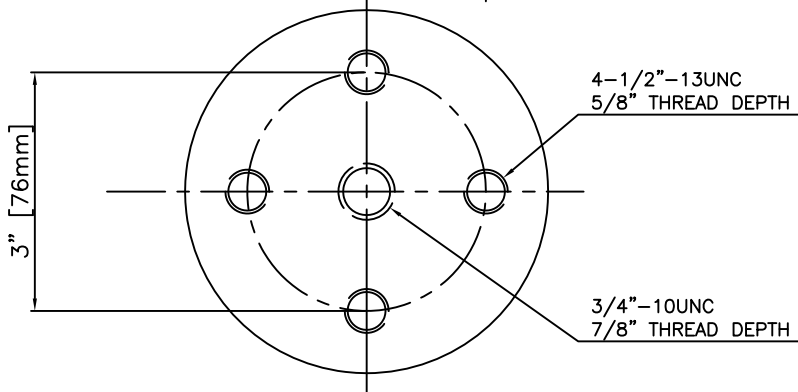


TECHICAL REQUIREMENTS

- | | |
|---|--------------------|
| 1. CANTILEVER STRENGTH: | 2500# [11.3KN] |
| 2. TENSILE STRENGTH: | 5000# [22.7KN] |
| 3. TORSION STRENGTH: | 6000" # [27.2KN.M] |
| 4. COMPRESSION STRENGTH: | 30000# [136KN] |
| 5. NEMA. VOLTAGE RATING: | 13.2KV |
| 6. 50 HERTZ WITHSTAND-DRY: | 36KV |
| 7. 50 HERTZ WITHSTAND-DEW: | 26KV |
| 8. IMPULSE WITHSTAND: | 95KV |
| 9. GLAZE: ANSI 70 LIGHT GREY | |
| 10. APPLICABLE STANDARD: ANSI C29.10-1989 | |



Meister International, LLC

P.O. Box 338, Ross, OH 45061 USA
 Phone: (513) 923-2712 Fax: (513) 923-1978
 Email: Sales@Meisterintl.com
 Web: Meisterintl.com

PART NO. A30-3
 INDOOR BUS SUPPORT