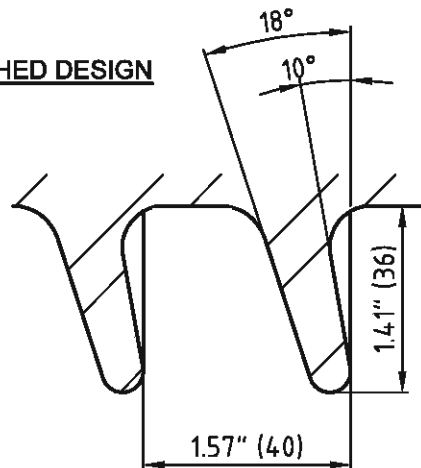


**SHED DESIGN**



**STANDARDS - ANSI C29.9, C29.1**

LIGHTNING IMPULSE WITHSTAND VOLTAGE	900 kV
POWER-FREQUENCY WITHSTAND VOLTAGE, WET	385 kV
CRITICAL IMPULSE FLASHOVER, POSITIVE	1010 kV
MAX. RIV AT 1000 kHz	500 μV
LOW-FREQUENCY TEST VOLTAGE (RIV)	146 kV
NOMINAL CREEPAGE DISTANCE	167.1 in    4245 mm
MINIMUM FAILING LOAD - BENDING (UPRIGHT & UNDERHUNG)	2750 lb    12.2 kN
- TENSILE	40000 lb    178 kN
- COMPRESSION	150000 lb    667.2 kN
- TORSION	133000 in-lb    15.02 kNm
MAX. ANGULAR DEVIATION OF FIXING HOLES	1 °
TESTING ACC. TO ANSI C29.1	
MECHANICAL ROUTINE TEST: BENDING	4x 50%
MATERIAL: C-130 ACC. TO IEC 60672	
APPROXIMATE WEIGHT	342 lb    155 kg

MEASURES IN BRACKETS ARE IN MILIMETRES

3	CEMENTING		PORTLAND CEMENT			
2	CAP	K-178-050-111				
1	PORCELAIN		C-130 IEC 60672			
pcs	Pos.	Title	Drawing, standard	Dimension	Material	Weight

Scale (%)	Drawn	Checked	Date
<b>OUTDOOR POST INSULATOR</b> <b>Cat. Id: 900 EU</b> <b>UNIFORM</b>			
		<b>Meister International, LLC</b> Tel: 513-923-2712    Fax: 513-923-1978 sales@meisterintl.com    www.meisterintl.com	